

EDCON-COMPONENTS



Technical Discription

Temperature Range: ABS= -40°C ~ +85°C

PC= -40°C ~ +120°C

Protection Degree IP66-67

Screw Type Enclosure

EDCON Terminal Boxes are some type has knock outs of 21mm on both surfaces and others have holes.

The latter type is ready to use without additional processing.

**This Box has two Knock-outs. Diameter Hole one 21mm
Hole two 21mm.**

This Box has 4Pos Terminal Block.



**Terminal Box Waterproof
65x74x43mm**

Part No.: **H19007**

Customer:

DRW:	Jason	CHKD	Wilson	MATL:	Wilson	TOLERANCE	Mason	DATE	12.02.2010
APPD:	Schumi			FINISH	Jamy		Sheet No.	1 from 4	

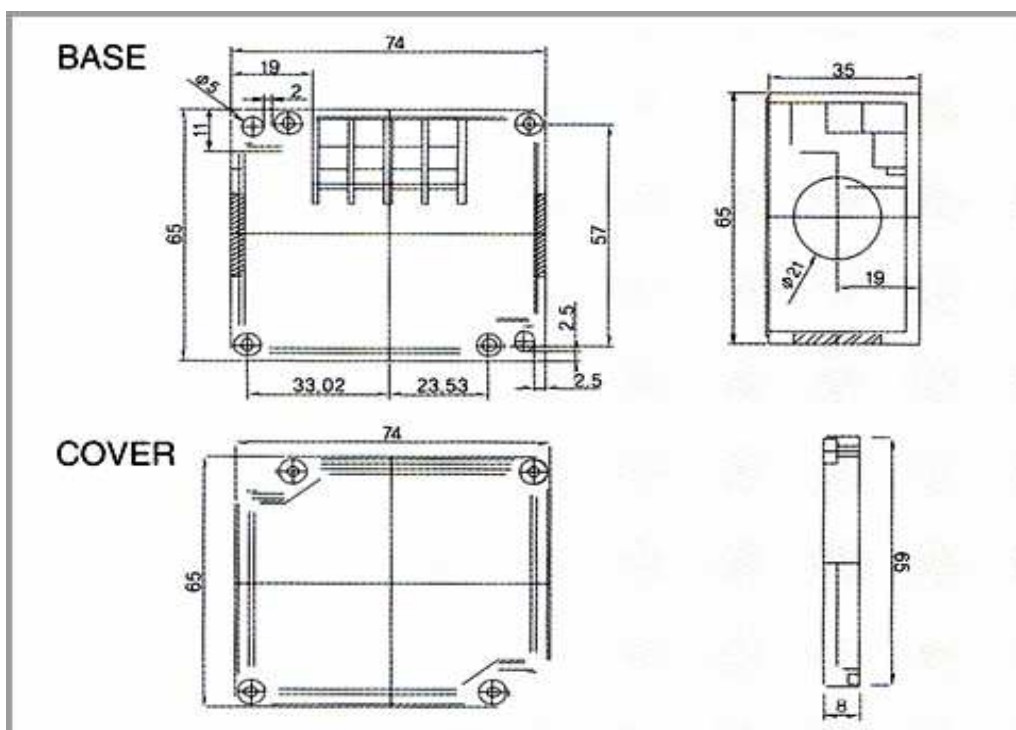
www.edcon-components.com

email: info@edcon-components.com

EDCON-COMPONENTS



Technical Drawing



**Terminal Box Waterproof
65x74x43mm**

Part No.: **H19007**

DRW:	Jason	CHKD	Wilson	MATL:	Wilson	TOLERANCE	Mason	DATE	12.02.2010
APPD:	Schumi			FINISH	Jamy		Sheet No.	2 from 4	Customer:

www.edcon-components.com

email: info@edcon-components.com

EDCON-COMPONENTS



Ordering Informations

Serie	Material Base	ROHS	Packing							
-------	---------------	------	---------	--	--	--	--	--	--	--

H19007	AB	R	S							
---------------	-----------	----------	----------	--	--	--	--	--	--	--

AB= ABS (Blue-Gray)	R= ROHS Conform	S= Standard Packing
AG= ABS (Gray)	N= NON ROHS Conform	I= Individual Packing
PB= PC Beige		

**Terminal Box Waterproof
65x74x43mm**

Part No.: **H19007**

DRW:	Jason	CHKD	Wilson	MATL:	Wilson	TOLERANCE	Mason	DATE	12.02.2010	Customer:
APPD:	Schumi			FINISH	Jamy		Sheet No.	4 from 4		